

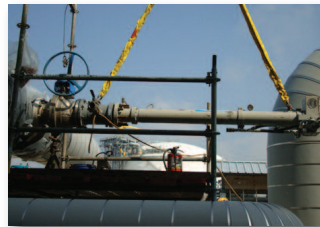


**THE WORLD LEADER IN HYDROTESTING  
AND ISOLATION TECHNOLOGIES**

**1-800-592-8378**  
**www.carbertesting.com**  
**Call us to schedule a  
Lunch & Learn TODAY!**

## Hot Tap and Line Stop Service

With over 50 years of combined hot tap and line stop engineering and field management experience, CARBER® is capable of responding to any need that may arise. We have the capability, experience and knowledge to perform any job about which our valued customers may inquire. Whether it is a standard cold/hot tap, line stop or a specialty designed and engineered piece of equipment to fit your needs, we will be anxious to hear from you.

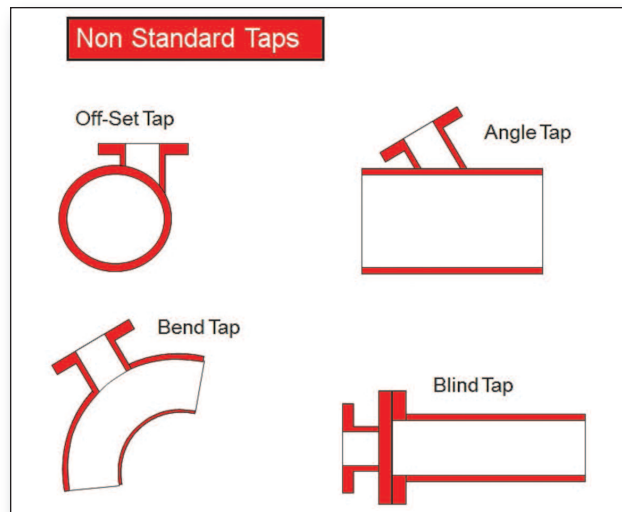


### HOT TAPS

- Tap Sizes from 1/2" to 48"
- Operating Temperatures up to 700°F
- Operating Pressures up to 2,200 psig
- Travel of machines: 12" to 110"
- Materials Tapped:
  - Carbon Steel
  - Stainless Steel
  - Cast/Ductile Iron
  - Nickel
  - Exotic Alloys
  - PVC
  - Polyethylene
  - Pre-stressed Concrete - Cylinder Pipe
  - Reinforced Concrete - Pipe

### LINE STOPS

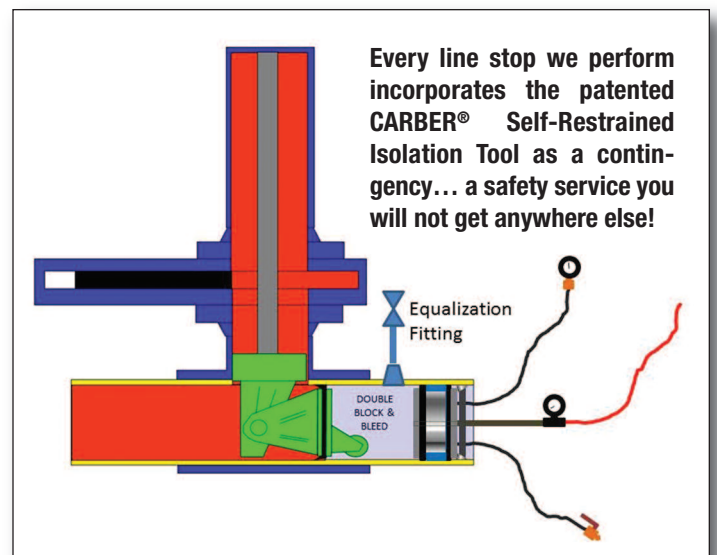
- Line Stop Sizes from 1/2" to 36"
- Pressures up to 1,400 psig
- Temperatures up to 700°F
- Line Stop Types:
  - Pivoting Head
  - Folding Head
  - Cross-line Stops
  - Bag Stops



CARBER® offers in-house design, build, rebuild and sales of fittings, equipment and materials. We also offer hot tap and line stop training programs.

All of our technicians are cross-trained to perform hot taps, stops, pipe cold cutting and CARBER® proprietary capabilities. Each of our highly skilled technicians is pipeline, Safe Gulf, and water survival trained and qualified.

Our patented self-restrained CARBER® isolation tool is installed, as a safety contingency, on each line stop service; this is exclusive to CARBER® and provides a tremendous safety benefit for our customers.



**CARBER® - your hot tapping and line stopping resource!**